

Equipment 2021

Item	Amount	
Tandem (2 Chassis Purchased 2020, 2 Bodies 2021)	\$262,708	
Mower Trailer	\$9,000	
Tractor Rental		\$10,500
		Accounted for in Rental Equipment Budget
Totals		\$271,708

Buildings and Structures

Item	Amount
Roof Repairs, Windows, Paint (Le Center)	\$150,000
Totals	\$150,000

Construction

Item	Amount
Totals	\$0

Grand Total \$421,708

Minutes of Le Sueur County Board of Commissioners Meeting February 4, 2020

The Le Sueur County Board of Commissioners met in regular session on Tuesday, February 4, 2020 at 9:00 a.m. in the Courthouse at Le Center, Minnesota. Those members present were: Dave Gliszinski, John King, Lance Wetzel and Steve Rohlring. Danny O'Keefe was excused. Also present were Darrell Pettis and Brent Christian.

On motion by Wetzel seconded by Gliszinski and unanimously approved, the Board approved the agenda for the business of the day.

On motion by King, seconded by Wetzel and unanimously approved, the Board approved the amended consent agenda:

- Approved the January 28, 2020 County Board Minutes and Summary Minutes.

One public comment was received.

Dani Blaschko, Ditch Manager appear before the Board.

On motion by Gliszinski, seconded by Wetzel and unanimously approved, the Board acknowledged the February 4, 2020 quarterly drainage ditch financial report.

Cindy Westerhouse, Human Resources Director came before the Board with several items for approval.

On motion by Gliszinski, seconded by King and unanimously approved, the Board approved the recommendation to hire Nicole Schmitz, full time Executive Assistant in County Administration, Grade 7, Step 4 at \$22.66 per hour, effective February 12, 2020.

On motion by Wetzel, seconded by Gliszinski and unanimously approved, the Board approved the recommendation to hire Meghan Bastyr, full time Registered Nurse in Public Health, Grade 10, Step 7 at \$30.00 per hour, effective February 12, 2020.

On motion by Gliszinski, seconded by King and unanimously approved, the Board approved the recommendation to hire Mark Roemhildt, full time Veterans Service Director in Veterans Service Office, Grade 12, Step 4 at \$30.34 per hour, effective March 9, 2020.

Dave Tieg, Highway Engineer appeared before the Board with several items for consideration.

On motion by Gliszinski, seconded by Wetzel and unanimously approved, the Board approved the purchase of two 2020 Mack Trucks Cab and Chassis from Nuss Truck Equipment with pricing from the state contact in the amount of \$127,255.00 each, less \$15,000 trade for each trade in. (2020 budget item.)

On motion by Gliszinski, seconded by Wetzel and unanimously approved, the Board approved the purchase of plows, box, wing, and sander from Towmaster Truck Equipment for two trucks with pricing from the state contract in the amount of \$131,354.00 each. (2021 budget item.)

On motion by Wetzel, seconded by King and unanimously approved, the Board approved the purchase of a 2020 Superior Broom from RDO Equipment Co. with pricing from the state contract in the amount of \$69,243.78 less \$6,500 trade in for Unit # 68.

On motion by King, seconded by Gliszinski and unanimously approved, the Board approved the purchase of a John Deere 1570 mower from Kibble Equipment in the amount of \$28,100 less \$3,000 trade in for Unit # 6.

On motion by King, seconded by Wetzel and unanimously approved, the Board approved the lease of a Farmall 120C tractor from Matejcek Implement at \$16.50 per hour, minimum of 600 hours for the summer of 2020.

On motion by Gliszinski, seconded by King and unanimously approved, the Board approved the purchase of a Schulte XH1000 pull behind mower from Trueman Welters with pricing from the state contract in the amount of \$23,035.68 less \$5,000 trade in for Unit # 88.

On motion by Gliszinski, seconded by Wetzel and unanimously approved, the Board approved the purchase of two Chevrolet Silverado 1500 pickup trucks from Ranger GMC with pricing from the state contract in the amount of \$28,500 each.

On motion by Wetzel, seconded by King and unanimously approved, the Board approved out of state travel for Tom Bear to attend the ATSSA How To conference in Fargo, ND, March 16-18, 2020.

Joshua Mankowski, Planning & Zoning Administrator appeared before the Board with an item for approval.

On motion by Gliszinski, seconded by Wetzel and unanimously approved, the Board approved the purchase of a 2019 Grand Caravan from Jeff Belzer's in the amount of \$ \$22,900.

Commissioner Committee Reports:

- Commissioner Rohlfing reported on an MRCI meeting.

On motion by King, seconded by Gliszinski and unanimously approved, the Board approved the cases and claims for Human Services:

Financial: \$28,864.95
Soc Services: \$96,225.17

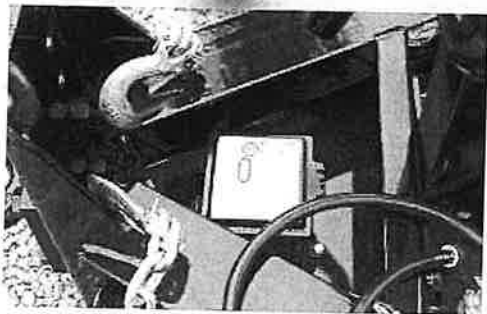
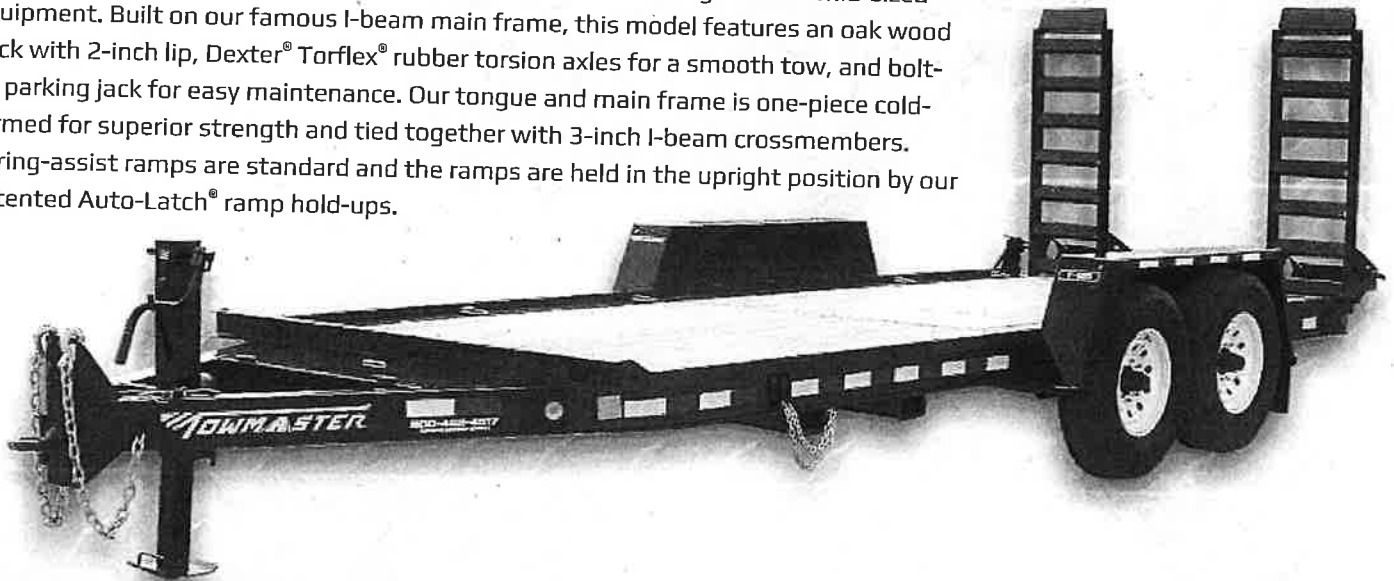
On motion by Wetzel, seconded by King and unanimously approved, the following claims were approved for payment:

TOWMASTER TRAILERS

DROP-DEC

T-9D / T-10D / T-12D

The Towmaster T-series drop-deck trailer is designed for hauling small to mid-sized equipment. Built on our famous I-beam main frame, this model features an oak wood deck with 2-inch lip, Dexter® Torflex® rubber torsion axles for a smooth tow, and bolt-on parking jack for easy maintenance. Our tongue and main frame is one-piece cold-formed for superior strength and tied together with 3-inch I-beam crossmembers. Spring-assist ramps are standard and the ramps are held in the upright position by our patented Auto-Latch® ramp hold-ups.



Sealed battery break-away system charges while plugged into the tow vehicle and can be checked at the press of a button.



Formed frame and tongue provide a strong and integral structure for the trailer. The Towmaster "T-Series" has a squared-deck and 2" lip.



Strong, channel side ladder-style ramps with patented Auto-Latch® ramp hold-ups.

Quick Specs:

- 2" nom. white oak deck
- 14', 16', 18', or 20' deck
- One-piece formed fender and inner panel
- 19" deck height (loaded)
- Dexter® Torflex® axles w/EZ Lube
- Auto-Latch ramp hold-ups
- 82" between fenders
- Forward adjusting electric brakes
- Grommet mounted LED lights



Photos may show optional equipment.

AMERICA'S BEST BUILT TRAILERS FOR PROFESSIONAL HAULERS



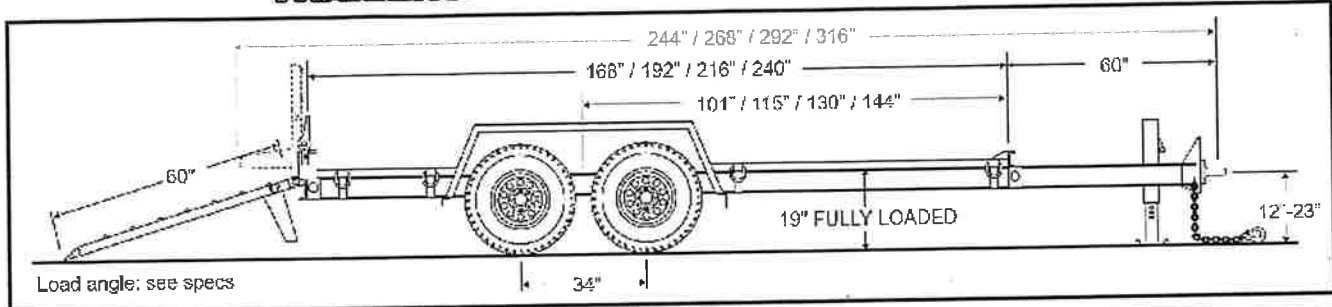
800-462-4517
TOWMASTER.COM



GALVANIZING AVAILABLE



MORE MODELS • MORE OPTIONS • MORE CHOICES
DROP-DECK • TILT BED • DECK-OVER • GOOSENECK • LOWBOY • HYDRAULIC TAIL



SPECIFICATIONS

S=Standard O=Optional

CAPACITY / DIMENSIONS	T-9D	T-10D	T-12D
Approx. Payload (lbs/kg)	6,890 / 3125	10,000 / 4536	12,000 / 5443
GVWR (lbs/kg)	9,990 / 4531	13,100 / 5942	15,100 / 6849
GAWR (lbs/kg)	14,000 / 6350	14,000 / 6350	14,000 / 6350
*Approx. Avg. Weight (lbs/kg)	3,100 / 1406	3,100 / 1406	3,100 / 1406
Overall Length - 14' (ft-in/mm)	20-4 / 6198	20-4 / 6198	20-4 / 6198
Overall Length - 16' (ft-in/mm)	22-4 / 6807	22-4 / 6807	22-4 / 6807
Overall Length - 18' (ft-in/mm)	24-4 / 7417	24-4 / 7417	24-4 / 7417
Overall Length - 20' (ft-in/mm)	26-4 / 8027	26-4 / 8027	26-4 / 8027
Deck Height (loaded)(in/mm)	19 / 483	19 / 483	19 / 483
Overall Width (ft-in/mm)	8-6 / 2591	8-6 / 2591	8-6 / 2591
Load Width (in/mm)	82 / 2083	82 / 2083	82 / 2083
TONGUE			
Tongue Length 5'-0" (1524mm)	S	S	S
One-Piece Cold-Formed Tongue / Frame	S	S	S
Pintle Ring (in)	2.5	2.5	2.5
3/8" High-Tensile Safety Chain x 40"	Grade 43	Grade 43	Grade 43
Bolt-on Drop-Leg Parking Jack	7K	7K	12K
FRAME / RAMPS			
Main Beam	W6 Beam	W6 Beam	High-Tensile W6 x 12
Crossmembers	3" Jr I-beam	3" Jr I-beam	3" Jr I-beam
Headboard Height (in / mm)	3 / 76	3 / 76	3 / 76
Deck	2" nom. White Oak	2" nom. White Oak	2" nom. White Oak
Deck Lip (in / mm)	2 / 51	2 / 51	2 / 51
12 ga. One-piece formed fenders and inner panel	S	S	S
Ramps (Ladder Style) Length x Width (ft-in x in/mm)	5-0x18 / 1524x470	5-0x18 / 1524x470	5-0x18 / 1524x470
Load Angle (degrees)	17	17	17
Ramp Spring-Assist	S	S	S
Ramp Hold-ups	Auto-Latch	Auto-Latch	Auto-Latch
Tie Downs	D-ring	D-ring	D-ring
Number of Tie-Downs (Total / Side)	8 / 4	8 / 4	8 / 4
SUSPENSION / TIRES			
Rubber-Ride Axles w/Warranty	S	S	S
Axle Capacity (each) (lbs/kg)	7,000 / 3175	7,000 / 3175	7,000 / 3175
Axle Spread (in/mm)	34 / 864	34 / 864	34 / 864
Hubs	E-Z Lube	E-Z Lube	E-Z Lube
Electric Brakes w/Forward Adjust	S	S	S
Brake Size (in/mm)	12x2 / 305x51	12x2 / 305x51	12x2 / 305x51
Battery Break-Away Kit with Tow Charger	S	S	S
Wheels (in/mm)	16x6 / 406x152	16x6 / 406x152	16x6 / 406x152
Wheel Bolt Pattern	8-bolt	8-bolt	8-bolt
Tires / Load Range Rating	235/85R16 / E	235/85R16 / E	235/85R16 / E

STANDARD EQUIPMENT

- Adjustable hitch height
- RV electrical plug
- Weather resistant sealed modular wiring
- Grommet mounted LED lights
- Registration holder
- Rust inhibiting primer
- Durable, rust inhibiting top coat
- Die-cut UV resistant vinyl decals
- D.O.T. approved conspicuity tape
- Mud flaps
- Adjustable ramp width spacing
- Trailer color: Equipment black
- Ramp color: Equipment red

OPTIONAL EQUIPMENT

- Hydraulic surge brakes
- 3" pintle ring or 2-5/16" ball coupler
- Gooseneck hitch
- 6-pole round electrical plug
- Storage tray lid
- Pallet fork holders
- 8K electric winch
- Additional tie-downs
- 3 ft. beavertail (comes with 4 ft. ramps)
- Spare tire and wheel mount
- Spare tire and wheel
- Tire upgrades available on select models
- Solid-bar ramp hold up
- Several ramp options available
- Color options: Construction Yellow, Equipment Red, Blue, Charcoal
- Galvanizing



Other options may be available. Ask your dealer or visit our website.

towmaster.com
800-462-4517

©Monroe Towmaster, LLC - 0218

*Payload capacity is calculated by taking the GVWR and subtracting the trailer weight. Listed GVWR, weights, and dimensions are for reference only. Manufacturer reserves the right to change models and specifications as they see fit. See our web site or your local authorized dealer for more information.



Reference No.
QT 54624

QUOTATION

Ship To: LE SEUEUR COUNTY - HWY DEPT. 88 SOUTH PARK AVENUE SWIFT ID: 174226 LeCENTER MN 56057 USA	Cust: 9 Phone:	Bill To: MONROE TOWMASTER, LLC 61381 US HWY 12 SWIFT ID: 174226 LITCHFIELD MN 55355 USA	Phone:
--	---------------------------------	--	---------------

ATTN: Tim Pittman

PO#	Salesman	Terms	Created	Last Revised	Appx Comp
	JESSICA NELSON	COD	7/16/20	7/20/20	0/00/00
Serial No.	Discounts: 15.00%		.00%	.00%	

Build Instructions **Contact:**
 Andy Jindra
 Le Sueur County
 Email: Ajindra@co.le-sueur.mn.us
 Phone: 507-341-0918

-Hauling two John Deere 1445 mowers

Qty	Feature	Description	List
1	Base Model - T-12D		\$7,975.00
20	Deck Length - In Feet		
20	Decking Type - 2" Nominal White Oak		
1	Width - 102" Overall with 82" Deck		
1	Beavertail - 3' Wood Top (10 Degree) w/ 5' Ramps		\$810.00
2	Axles - 7k E-Z lube Torflex		
2	Brakes - Electric		
4	Tires - 235/85Rx16(F)		
4	Wheels - White Mod		
1	Jack - 12K Drop Leg		
1	Lights - L.E.D.		
1	Plug - 7 Pole Rv		
1	Hitch/Neck - 2-5/16 Ball Coupler		

--- Continued ---

NOTE: If changes are made to an order after a P.O. has been issued, a fee may be assessed and a revised or new P.O. MUST BE submitted to reflect changes.

FET required on all trailers with a GVWR OF 26,000 lbs or more.

Price:

Total Discounts:

Net Cost:

Freight

Material Surcharge:

Total Due:

Accepted by _____ Date _____



Reference No.
QT 54624

QUOTATION

Ship To: LE SEUEUR COUNTY - HWY DEPT. 88 SOUTH PARK AVENUE SWIFT ID: 174226 LeCENTER MN 56057 USA	Cust: 9 Phone:	Bill To: MONROE TOWMASTER, LLC 61381 US HWY 12 SWIFT ID: 174226 LITCHFIELD MN 55355 USA	Phone:
--	---------------------------------	--	---------------

ATTN: Tim Pittman

PO#	Salesman	Terms	Created	Last Revised	Appx Comp
	JESSICA NELSON	COD	7/16/20	7/20/20	0/00/00
Serial No.	Discounts:		15.00%	.00%	.00%
Qty	Feature	Description	List		
2	Ramps - 5' Full Width Mesh Top	(flat bar hold-up only)	\$895.00		
1	Ramp Color - Equipment	Red			
1	Trailer Color - Equipment	Black			
8	Tie Downs - D-Rings				
1	Option - Tool Box Lid		\$125.00		
1	Loose Items - Spare Tire & Wheel	235/85Rx16(F)	\$230.00		
	Ship Loose				
1	Option - Side Lip down		\$250.00		
	Freight		\$217.50		

NOTE: If changes are made to an order after a P.O. has been issued, a fee may be assessed and a revised or new P.O. MUST BE submitted to reflect changes.

FET required on all trailers with a GVWR OF 26,000 lbs or more.

Price:	\$10,285.00
Total Discounts:	\$1,542.75
Net Cost:	\$8,742.25
Freight	\$217.50
Material Surcharge:	
Total Due:	\$8,959.75

Accepted by _____ Date _____

RENTAL CONTRACT

BY AND BETWEEN

LESSOR

MATEJCEK IMPLEMENT COMPANY
3040 Hwy 60 West
FARIBAULT MN 55021
507-334-2233

LESSEE

Name Le Sueur County Highway Dept
Address _____
City Le Sueur MN Zip _____
Phone _____

That in consideration of the payments and rentals hereinafter provided for, and of the terms and conditions hereof, the Lessor hereby agrees to lease and does lease to the Lessee, and the Lessee hereby agrees to lease from Lessor, the following described equipment belonging to the Lessor, to wit: rental rates do not include sales/use/property tax you the "lessee" is responsible for payment to whichever local/state/federal government entity which claims tax.

EQUIPMENT	
2020 Case IH Farmall 120C tractor	s# VKLF12806
\$17.5 per hour for a min 600 hours \$10,500	s#
	s#
	s#
TOTAL VALUE \$	86,000.00

RATES

PER HOUR	\$	17.50
PER DAY	\$	-
PER WEEK	\$	-
PER MONTH	\$	-
MIN. CHG	\$	10,500.00 HR

Above equipment to be used in *FARMING/CONSTRUCTION* operations at or near Le sueur In the state of mn

TERM OF LEASE: Shall be for a period of: Days _____ Weeks 4 to 5 Months _____ Beginning with the 10th Day of June

This lease may be extended upon approval by Matejcek Implement Company which enforces the right to remove equipment at any time
INSURANCE: Rental units must be insured for comprehensive loss at a minimum of the listed *Total Value*. Plus Matejcek Implement Company must be listed as Additional Insured for liability for a minimum of \$1,000,000.00. **Proof of both must be faxed to our office before delivery.**

INSURANCE COMPANY:

AGENT:

PHONE:

SUMMARY OF CHARGES; Rent payments are to be made in advance

Date in	<u>10/29/2021</u> Hour	<u>0</u>	Rental charge	\$	-
Date out	<u>6/10/2021</u> Hour	<u>2</u>	Transportation charge	customer	
	Use	<u>0</u>	Tax	\$	-
			Total Charges	\$	-

- Rental rates shall apply for the entire time equipment is away from Lessor's place of business regardless of weather, but not for lost time due to mechanical failure, unless caused by Lessee.
 - The Lessee agrees to pay the Lessor the *TOTAL VALUE* as stated above for all loss and damages to the equipment arising from any cause whatsoever that may occur during the life of this lease, including yet not limited to the lessee insurance coverage.
 - The Lessee shall be liable for all expenses, personal injury and property damages and claims arising out of its possession, operation or transportation of the equipment and shall indemnify and hold harmless Lessor there from.
 - The Lessee shall be responsible for and shall bear the expenses of all fuel, lubrication, and maintenance of equipment.
 - The Lessee agrees that the equipment shall be used solely in the conduct of Lessee's business and within Lessee's possession and under its control that said equipment will be operated only by competent employees of Lessee and shall not be used beyond its normal capacity.
 - The Lessee shall have no right to sub-lease the equipment nor remove it from the area specified in this contract unless he notifies the Lessor.
 - Title to the equipment shall at all times be vested in the Lessor unless transferred to the Lessee through sale.
The Lessee agrees to comply with and conform to all Municipal, State and Federal laws relating to the operation and transportation of equipment and to pay all costs and expenses of every character occasioned by or involving the use of the equipment.
The Lessee acknowledges that each item of equipment is of a size, design and capacity selected by Lessee and that the same is suitable for Lessee's intended purposes. Lessor's sole and exclusive warranty is as follows; Lessor warrants to Lessee that the equipment covered by this lease will be delivered to lessee free from defects in material and workmanship when used under proper and normal conditions. Should any failure to conform to the above sole and exclusive warranty appear during the term of this lease, and provided no such defects are in any way attributable to the fault of Lessee, Lessor will repair or replace the equipment, at Lessor's option. The foregoing warranty shall not apply to damage or defects caused by ordinary wear and tear and is exclusive and in lieu of all other warranties whether written, oral, express or implied (including any warranty on merchantability or fitness for purpose). The remedies under this warranty are exclusive and Lessor neither assumes nor authorizes anyone else to assume for it any other obligation.
The above sole and exclusive warranty shall constitute Lessee's sole remedy and the sole liability of Lessor under any legal theory or theories whatsoever including without limitation under warranty, tort, fraud or contract legal theory. The sole and exclusive warranty does not include reimbursement for the expenses of labor, transportation, removal from the line or any other expenses which may be incurred by Lessee. in no event shall Lessor be liable for any penalty or for any special, liquidated, indirect or consequential damages, such as but not limited to lost profits or revenues, time lost or any other damage or injury suffered by Lessee or any other person while the equipment is inoperable for any reason and no deductions shall be made from rental payment therefore. The receipt and acceptance by the Lessee of the equipment shall constitute acknowledgement that the equipment is in good, safe and serviceable condition, and fit for use.
- Safety Certification** I have read this Equipment Rental Agreement and certify that the information contained herein is true and correct. I certify that at the time of delivery of the leased equipment, I was instructed in the proper and safe operation of the equipment, its safety features and the purposes for which it was designed to be used. I further certify that, at the time of delivery, all applicable safety features of the leased equipment were installed and operational. The jobsite/farm will adhere to all osha regulations/seat belt use.

It is understood that this is the entire agreement between the parties.

Lessee

[Signature Box]

Lessor

[Signature: Paul Matejcek]